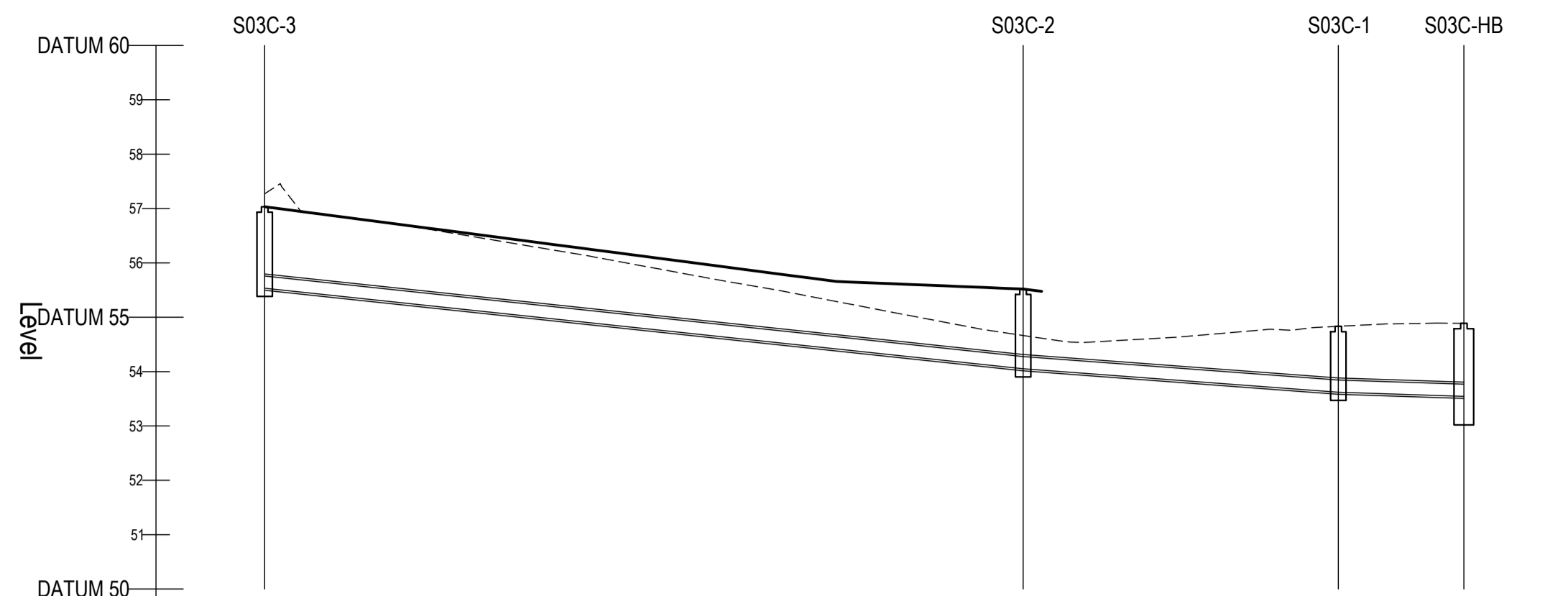
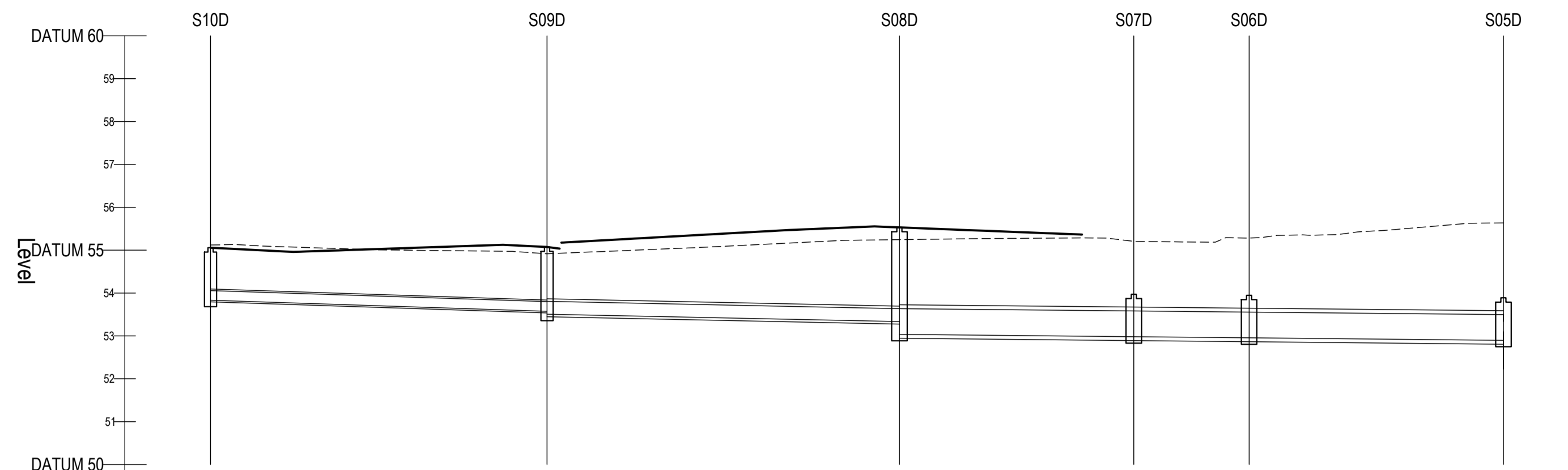


SCALE: H 1:500, V 1:100. DATUM: 50.000

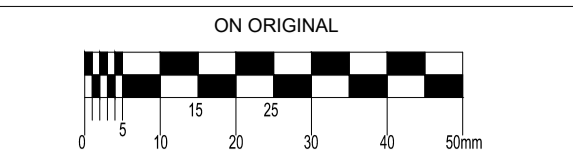


COVER LEVEL	57.033		55.619	54.834	54.888
INVERT LEVEL	55.533	54.051	53.620	53.543	
DEPTH (m)	1.500	1.488	1.214	1.120	
DISTANCE (m)		69.80	29.01	11.56	
PIPE SLOPE		1.47	1.67	1.150	
PIPE SIZE		225mm	225mm	225mm	

SCALE: H 1:500, V 1:100. DATUM: 50.000



COVER LEVEL	55.057	55.073	55.531	53.972	53.946	53.888
INVERT LEVEL	53.832	53.574	53.506	53.335	52.951	52.908
DEPTH (m)	1.225	1.507	2.496	0.991	0.991	0.991
DISTANCE (m)		39.27	41.13	27.36	13.46	29.68
PIPE SLOPE		1.152	1.240	1.507	1.518	1.512
PIPE SIZE		225mm	300mm	600mm	600mm	600mm



ON ORIGINAL
0 5 10 15 20 25 30 40 50m

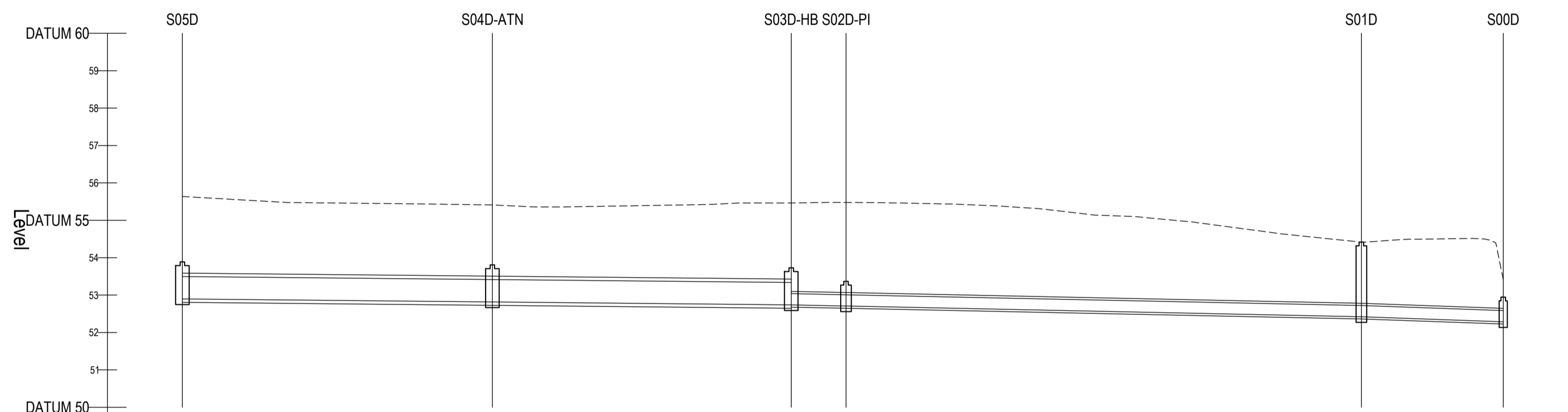
© COPYRIGHT OF THIS DRAWING IS RESERVED BY DBFL CONSULTING ENGINEERS. NO PART SHALL BE REPRODUCED OR TRANSMITTED WITHOUT THEIR WRITTEN PERMISSION.

NO CHANGES OF WHATSOEVER NATURE ARE TO BE MADE TO ANY DETAILS SET OUT OR CONTAINED IN ANY DBFL SPECIFICATIONS OR DRAWINGS UNLESS THE EXPRESS CONSENT HAS BEEN OBTAINED IN ADVANCE, IN WRITING, FROM DBFL.

NOTES:

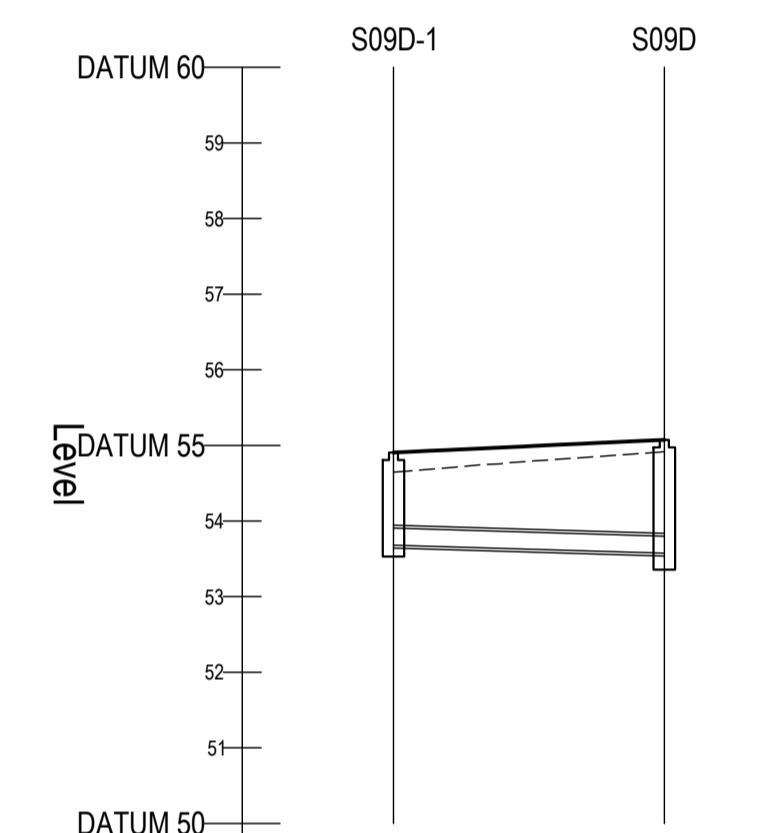
- ALL DRAWINGS TO BE CHECKED BY CONTRACTOR ON SITE AND ENGINEER INFORMED OF DISCREPANCIES BEFORE WORK COMMENCES
- ALL LEVELS ARE IN METRES AND ARE RELATED TO ORDINANCE DATUM
- CONTRACTOR SHALL SATISFY HIMSELF AS TO THE ACCURACY OF PAVEMENT LEVELS ON SITE PRIOR TO COMMENCEMENT OF WORKS ON SITE
- ALL WORKS TO BE CONSTRUCTED IN ACCORDANCE WITH THE NRA SPECIFICATION FOR ROAD WORKS UNLESS NOTED OTHERWISE
- THIS DRAWING IS FOR PLANNING PURPOSES ONLY
- MANHOLE COVER LEVELS ARE TO CONFORM WITH FINISHED ROAD AND PATH LEVELS
- WHERE COVER TO PIPE IS LESS THAN 100mm (ROAD/PATH/VERGE) OR 900mm (OPEN SPACE) SURROUND PIPE IN MINIMUM 150mm CONCRETE

SCALE: H 1:500, V 1:100. DATUM: 50.000



COVER LEVEL	53.888	53.807	53.729	53.368	54.416	52.946
INVERT LEVEL	52.897	52.816	52.738	52.708	52.421	52.238
DEPTH (m)	0.991	0.991	0.991	0.660	1.995	0.660
DISTANCE (m)		41.41	39.93	7.32	68.84	18.96
PIPE SLOPE		1.511	1.512	1.240	1.240	1.140
PIPE SIZE		600mm	600mm	300mm	300mm	300mm

SCALE: H 1:500, V 1:100. DATUM: 50.000

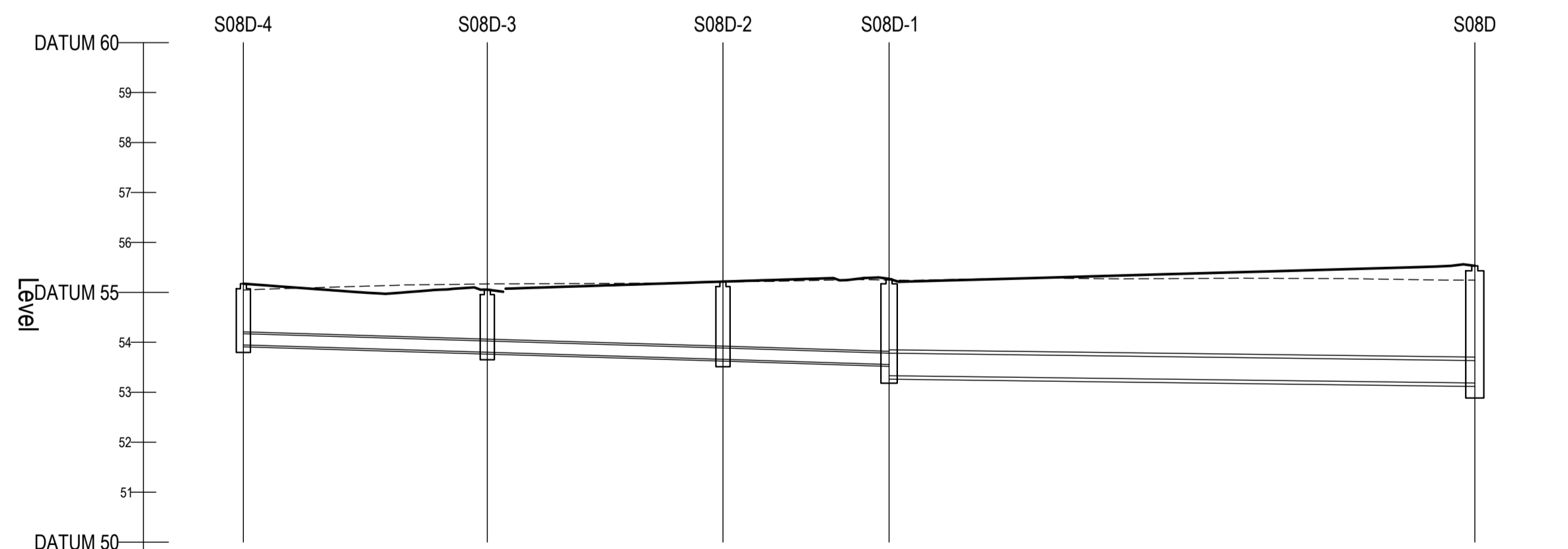


COVER LEVEL	54.906	55.073
INVERT LEVEL	53.681	53.574
DEPTH (m)	1.225	1.507
DISTANCE (m)	17.91	
PIPE SLOPE	1.167	
PIPE SIZE	225mm	

KEY

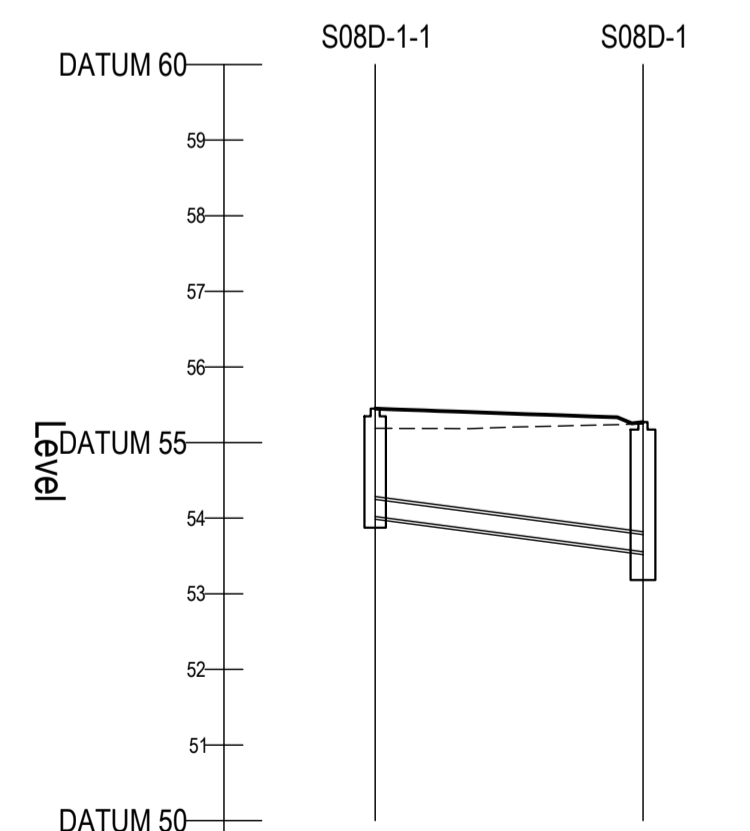
--- EXISTING GROUND PROFILE
— PROPOSED GROUND PROFILE

SCALE: H 1:500, V 1:100. DATUM: 50.000



COVER LEVEL	56.173	55.655	55.216	54.271	55.531
INVERT LEVEL	53.948	53.802	53.661	53.557	53.185
DEPTH (m)	1.225	1.253	1.555	1.939	2.488
DISTANCE (m)	24.42	23.58	16.63	58.63	
PIPE SLOPE	1.167	1.167	1.160	1.400	
PIPE SIZE	225mm	225mm	225mm	450mm	

SCALE: H 1:500, V 1:100. DATUM: 50.000



COVER LEVEL	55.448	54.271
INVERT LEVEL	54.023	53.557
DEPTH (m)	1.425	1.939
DISTANCE (m)	17.71	
PIPE SLOPE	1.38	
PIPE SIZE	225mm	

P01	09-06-22	PLANNING SUBMISSION	DKE	NOH
rev	date	description	by	chkd.
		A - Approved		
		B - Approved with comments		
		C - Do not use		

suitability S4 - STAGE APPROVAL issue purpose PLANNING



DUBLIN OFFICE: Ormond House, Upper Ormond Quay, Dublin 7, D07 W704
PHONE +353 1 450 4000
CORK OFFICE: 14 South Mall, Cork, T12 CT91
WATERFORD OFFICE: Suite 10 The Atrium, Maritime Gate, Canada Street, Waterford, X91 W028
PHONE +353 51 309 500

project ref.
BALLYOULSTER KDA SHD - PHASE 1
RESIDENTIAL DEVELOPMENT

drawing title
STORM WATER NETWORK
LONGSECTION - SHEET 4

client KIERAN CURTIN, RECEIVER OVER
CERTAIN ASSETS OF MAPLEWOOD
DEVELOPMENTS UNLIMITED
COMPANY

designed by	author	scale	sheet size
GIS	GIS	AS NOTED	A1
drawing no.	revision		
180221-DBFL-SW-SP-M2-C-3004	P01		